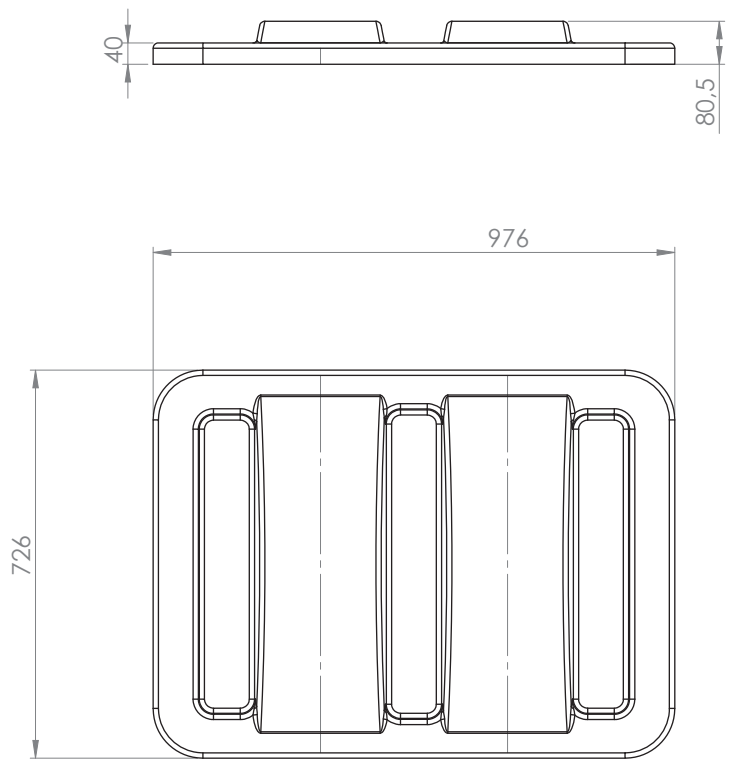

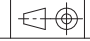


This drawing and design is the property of Cipax. Copying and distribution of the drawing or any contents is prohibited without written permission from authorised personnel at Cipax



Generelle toleranser om ikke annet er oppgitt på tegning	Tilatte avvik for måleområde. Gjelder ved +20°C				
General tolerances if not other stated on drawing	Permissible deviations for basic length size range. Valid +20°C				
	0-20	>20-75	>75-150	>150-300	>300
	±0,5mm	±1mm	±1,5mm	±1,3%	±1%

Constructed by - date	04.04.2014	Evaluated by	Approved by - date	General Tolerances	Material	Finish, Ra	View	Scale
Owner				NS-ISO 2768-1	PE			1:10
Title/Description				Drawing number		Revision	Sheet size	Sheet
40451 / 6400091				1088-310			A3	1(1)