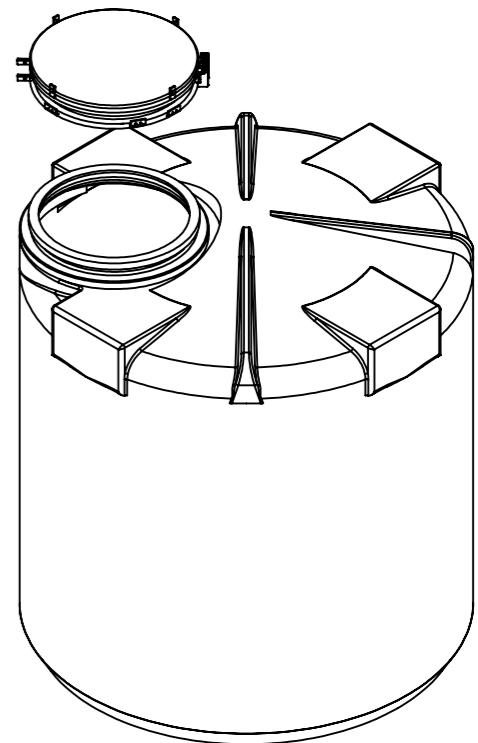
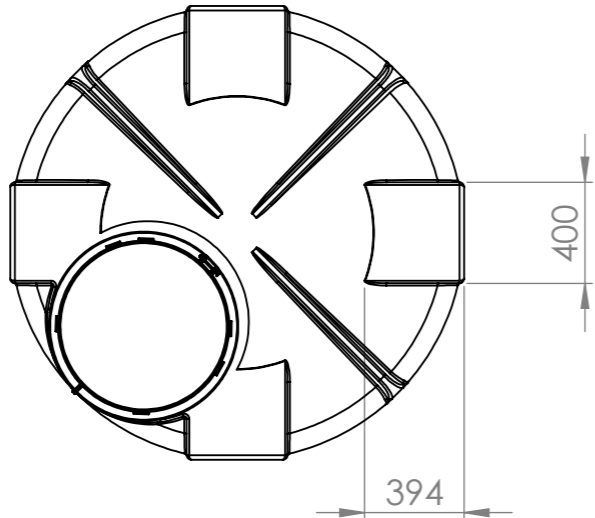
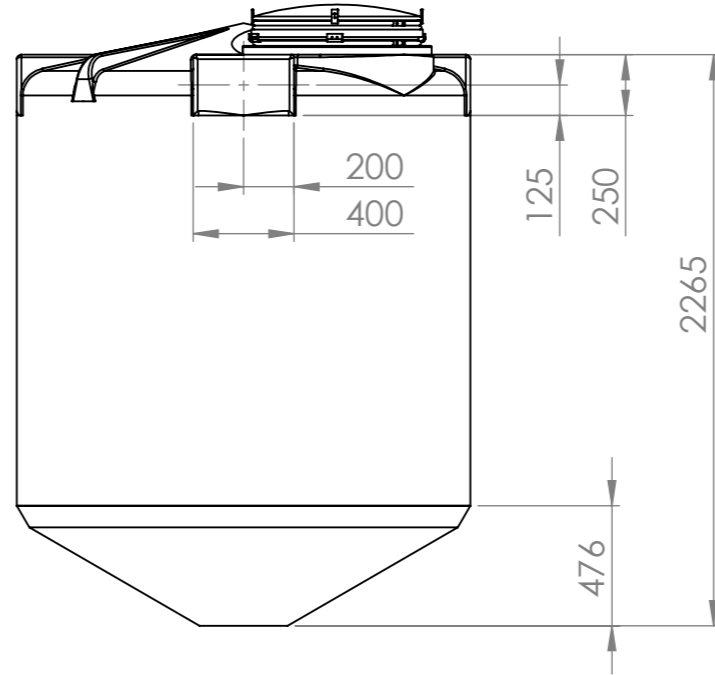
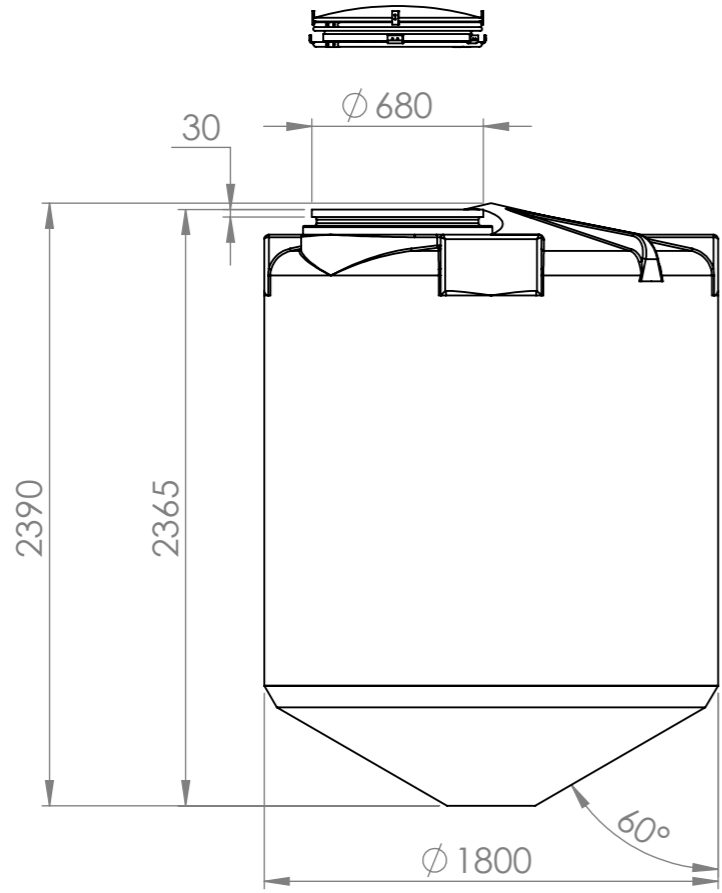


REVISIONS				
ZONE	REV.	DESCRIPTION	DATE	APPROVED
	A	Renamed part to 1408641. Made a new drawing and updated views. M.P	30.04.2013	



This drawing and design is the property of Cipax. Copying and distribution of the drawing or any contents is prohibited without written permission from authorised personal at Cipax

"Manhole requires 800 mm space to open fully. Compared to maximum height"

Generelle toleranser om ikke annet er oppgitt på tegning	Tilatte avvik for måleområde. Gjelder ved +20°C				
General tolerances if not other stated on drawing	Permissible deviations for basic length size range. Valid +20°C				
	0-20	>20-75	>75-150	>150-300	>300
	±0,5mm	±1mm	±1,5mm	±1,3%	±1%

Constructed by - date	Evaluated by	Approved by - date	General Tolerances	Material	Finish, Ra	View	Scale
M.P 30.04.2013			NS-ISO 2768-1	LDPE	grit 120		1:30
Owner		Titel/Description					
		1408641		5000 L Kon exentric			
Drawing number			Revision	Sheet size	Sheet		
850 - 34			B	A3	1(1)		