

## CPX Closed tank 10000L lowbuilt



CPX Closed tank 10000 L consists of 2 underground 5000 L tanks connected in series. Environmentally friendly, reliable and suitable for all systems and ground conditions.


Including a child-proof lid of 600 mm, outer diameter 800 mm. The tank and lid are tested and approved.

Supplement the tank with a fixed extension neck or our cuttable extension neck for a variable installation depth.

The tank can easily be supplemented with level alarms and connections.

We recommend a connection between the tanks of a 160mm ground pipe for optimal flow, but a 110mm pre-drilled connection can also work. Please note that ground pipes are not included with the tank.

Art.nr: 23041x2

Specifications	
Material	PE
Shape	Rectangular
Bottom shape	Straight
Design	Closed
Lid type	
Color	Black
Volume (L)	10000
Length (mm)	3400
Width (mm)	2350
Height (mm)	1200
Weight (kg)	560
Tollstatistical code	3925100000
Recycling	 HDPE

## Characteristics



Customizable  
containers



Recyclable



Chemical  
resistance



Leak test



Logistics  
solutions



Easy to clean

Revision		
REV.	Ändringsmeddelande	Datum
		Godkänd

För installation under jord krävs förhöjningshals.  
For underground installation extension neck is required

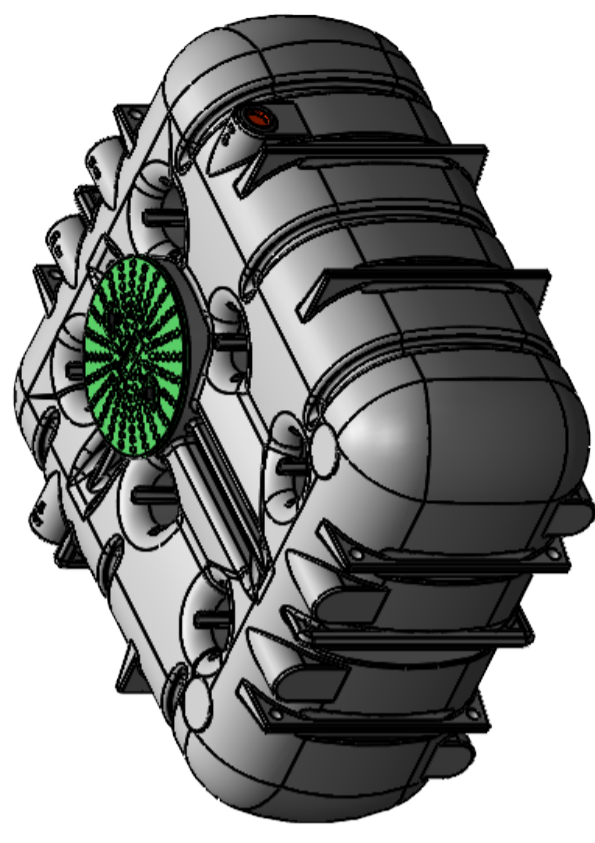
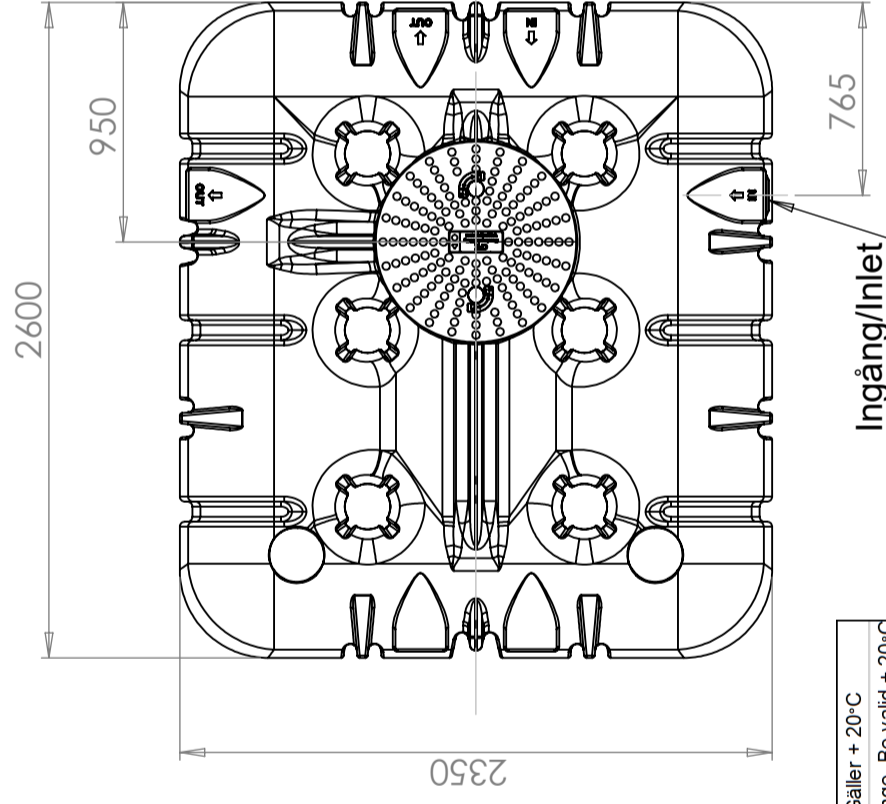
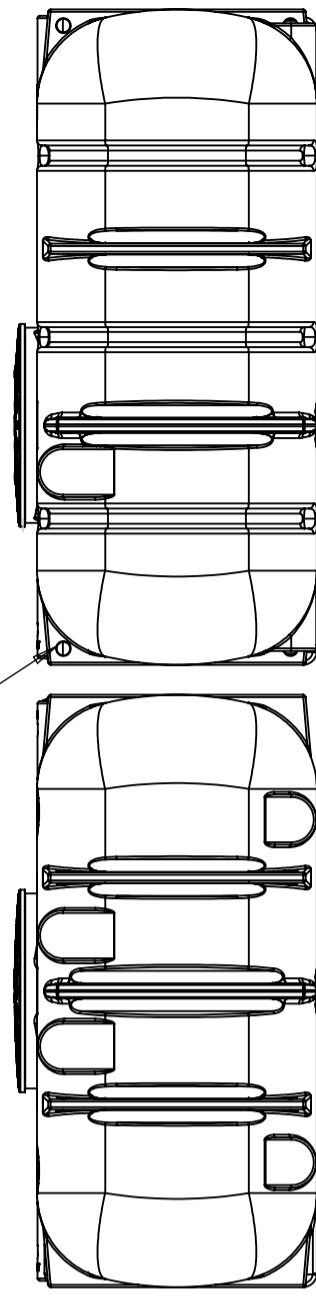
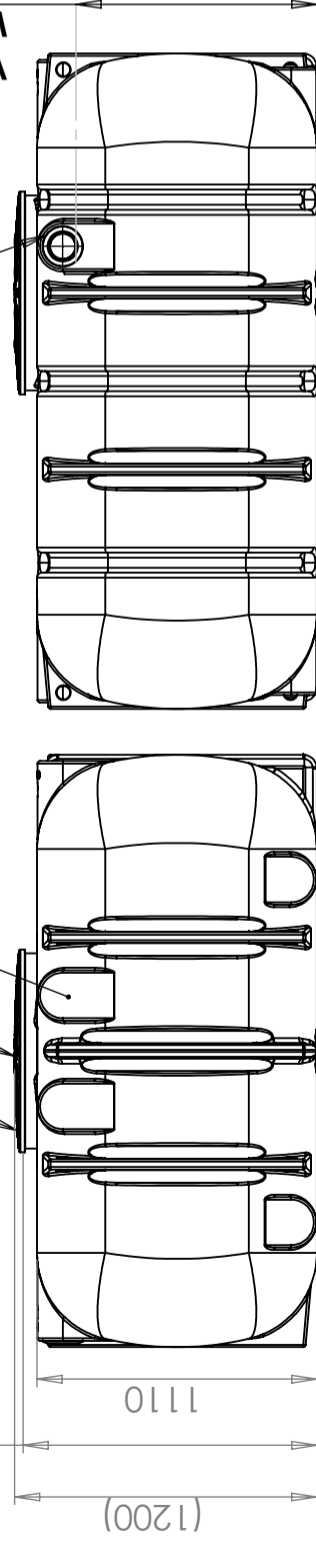
Lock/Lid Ø600mm

Yta för extra anslutningar (8x)  
Area for optional connections (8x)

Gummimuff/Rubber Sealing DN 110

Lyftöglor för hantering och installation (8x)  
Lift loops for handling and installation (8x)

Utan lock (1200)  
W/O Lid=1165mm



Generella toleranser om ej annat anges på ritning	Tillåtna avvikelser för längdbasområde. Gäller + 20-C			
General tolerances if not other stated on drawing	0-20	>20-75	>75-150	>150-300
	± 0,5 mm	± 1 mm	± 1,5 mm	± 1,3 %
				± 1 %

Konstruerad av	JA	Granskad av	MB	Godkänd av - datum	JA 2022-01-17	Generell tolerans	SS-ISO 2768-1	Generell Ytjämnhet, Ra		Vyplacering		Skala	1:30
Ägare	CIPAX												
Titel/Benämning	CPX Closed Tank 5000L												
Ritningsnummer	23041 Assembly												
Blad	A												
	1(1)												

This drawing and design is the property of CIPAX. Copying and distribution of the drawing or any contents is prohibited without written permission from authorised personal at CIPAX