



CPX Storagetank 5000L conical bottom

Height including stand: 3200 mm. Height excluding stand:
2720 mm. For liquids up to density 1,85

Art.nr: 18016

Specifications

Bottom shape	Conical
Volume (L)	5000
Height (mm)	2395
Diameter (mm)	1800
Weight (kg)	170
Tare weight (max kg/l)	1.85

Recycling



HDPE

ZONE	REV.	DESCRIPTION	DATE	APPROVED
A	A	Renamed part to 1408641. Made a new drawing and updated views. M.P	30.04.2013	

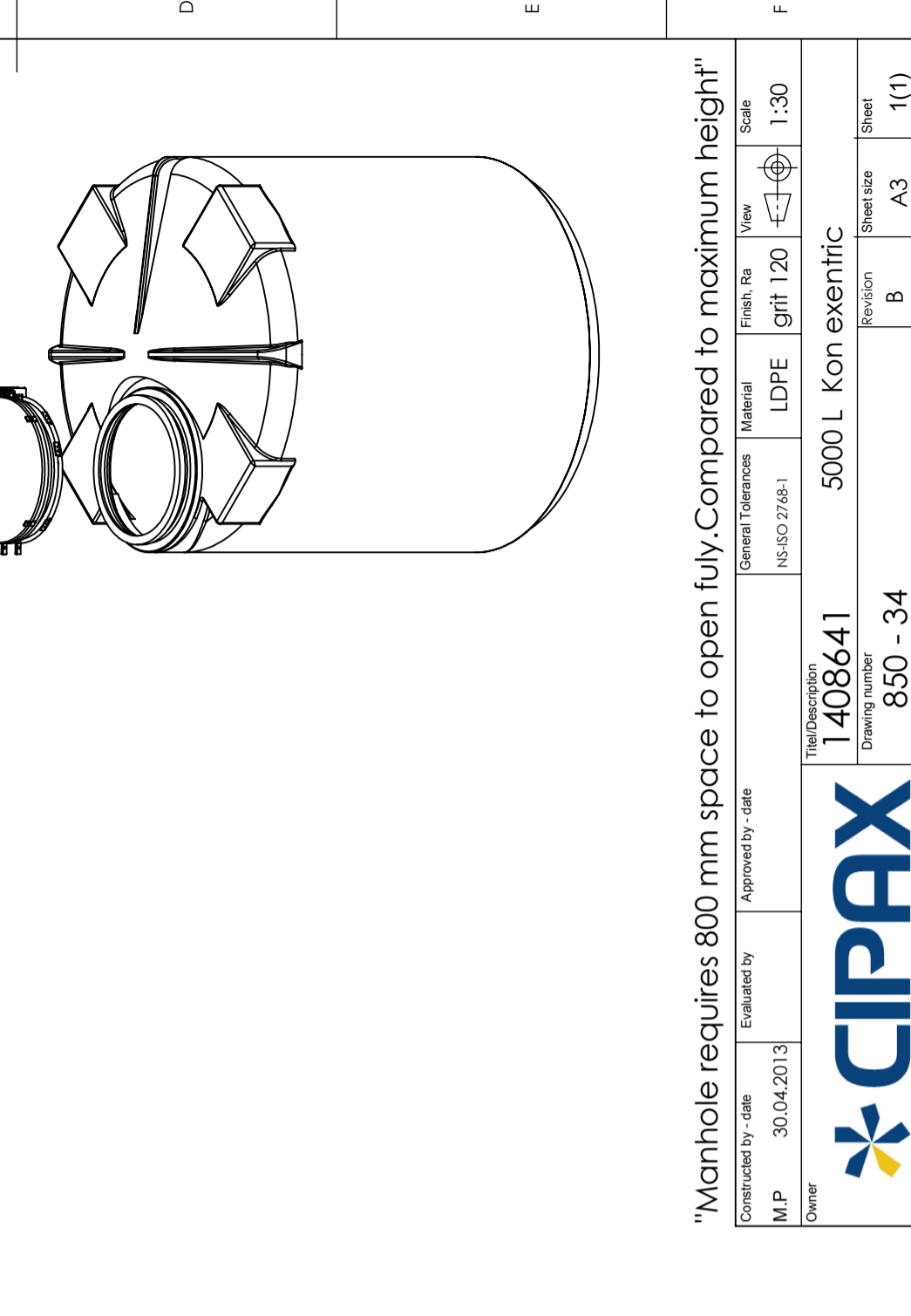
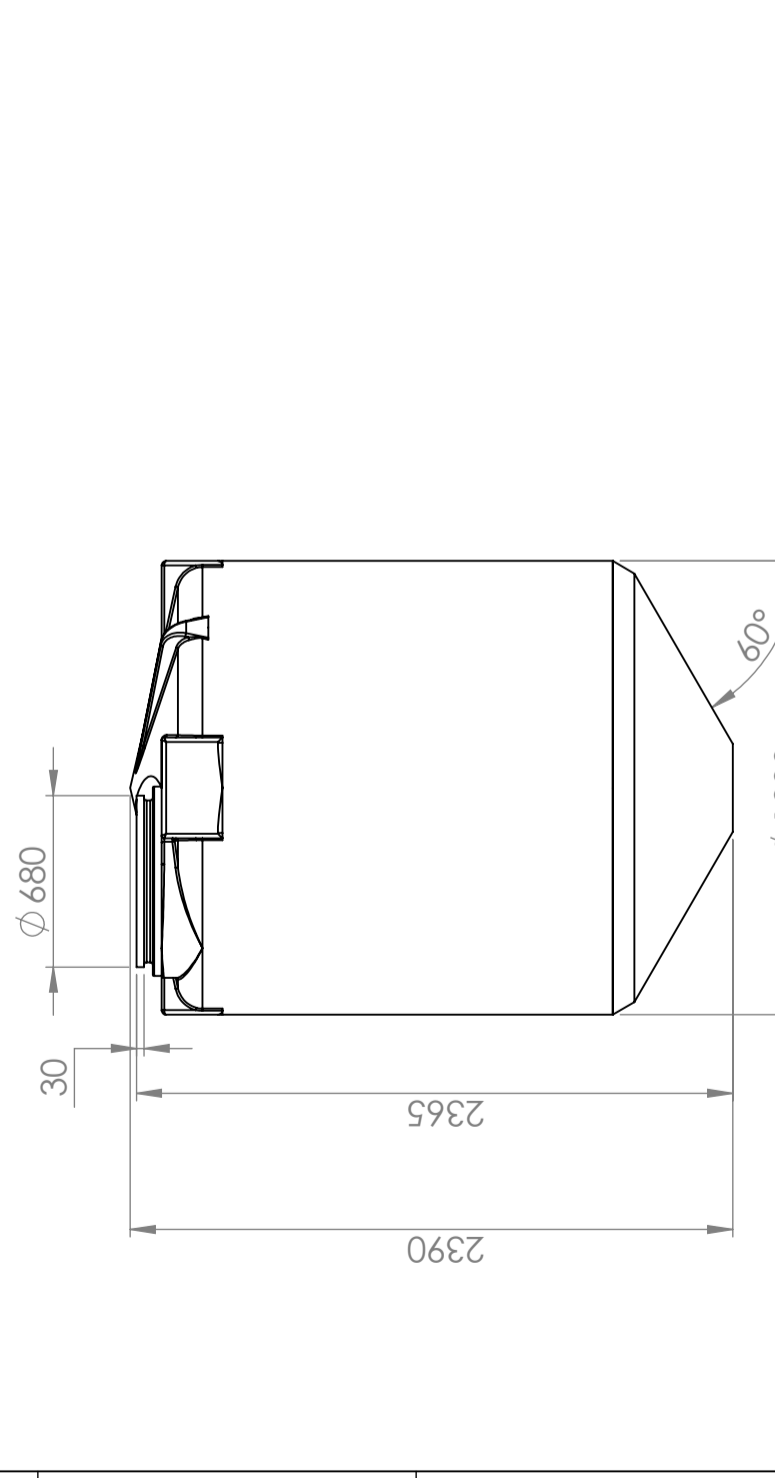
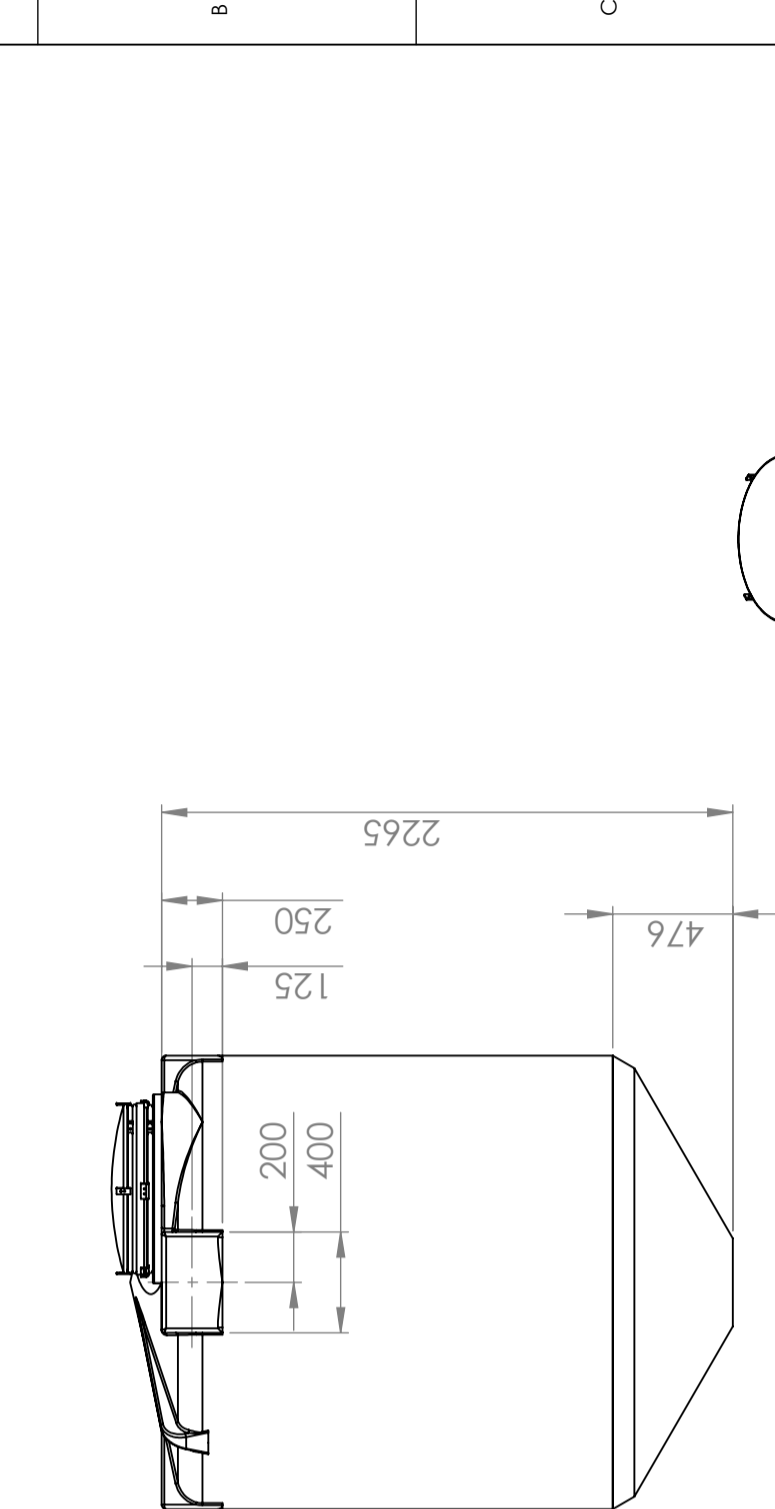
REVISIONS				
ZONE	REV.	DESCRIPTION	DATE	APPROVED
A	A	Renamed part to 1408641. Made a new drawing and updated views. M.P	30.04.2013	

Constructed by - date	Evaluated by	Approved by - date	General Tolerances	Material	Finish, Ra	View	Scale
M.P 30.04.2013			NS-ISO 2768-1	LDPE	grit 120		1:30

Owner	Title/Description	Drawing number	Revision	Sheet size	Sheet
	1408641	850 - 34	B	A3	1(1)

Generelle toleranser om ikke annet oppgitt på tegning	Permissible deviations for basic length size range. Valid +20°C
General tolerances if not other stated on drawing	Permissible deviations for basic length size range. Valid +20°C
0-20 ±0.5mm	>20-75 ±1mm
>75-150 ±1.5mm	>150-300 ±1.3%
>300 ±1%	>300 ±1%

Tilatte avvik for måleområdet. Gjelder ved +20°C



"Manhole requires 800 mm space to open fully. Compared to maximum height"

This drawing and design is the property of CIPAX. Copying and distribution of the drawing or any contents is prohibited without written permission from authorised personnel at CIPAX.