




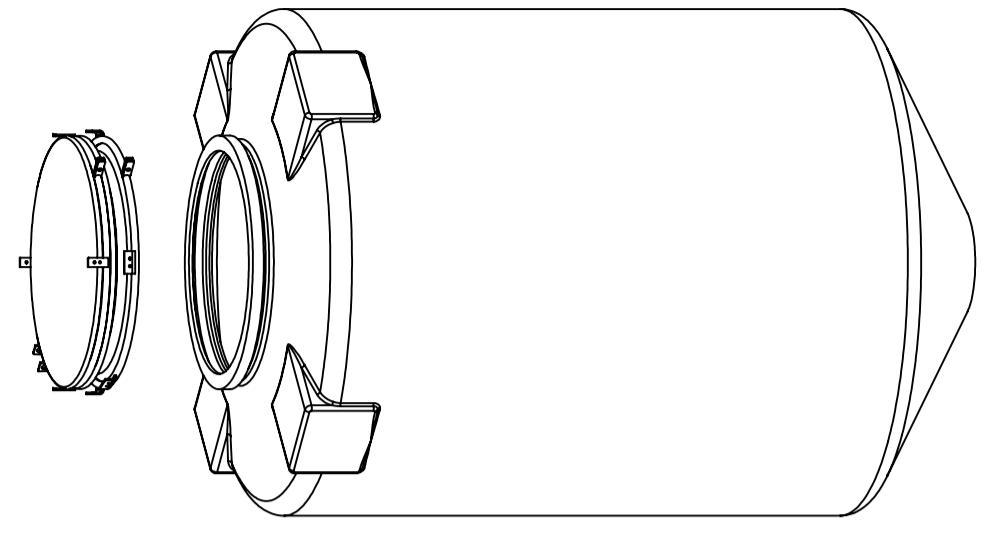
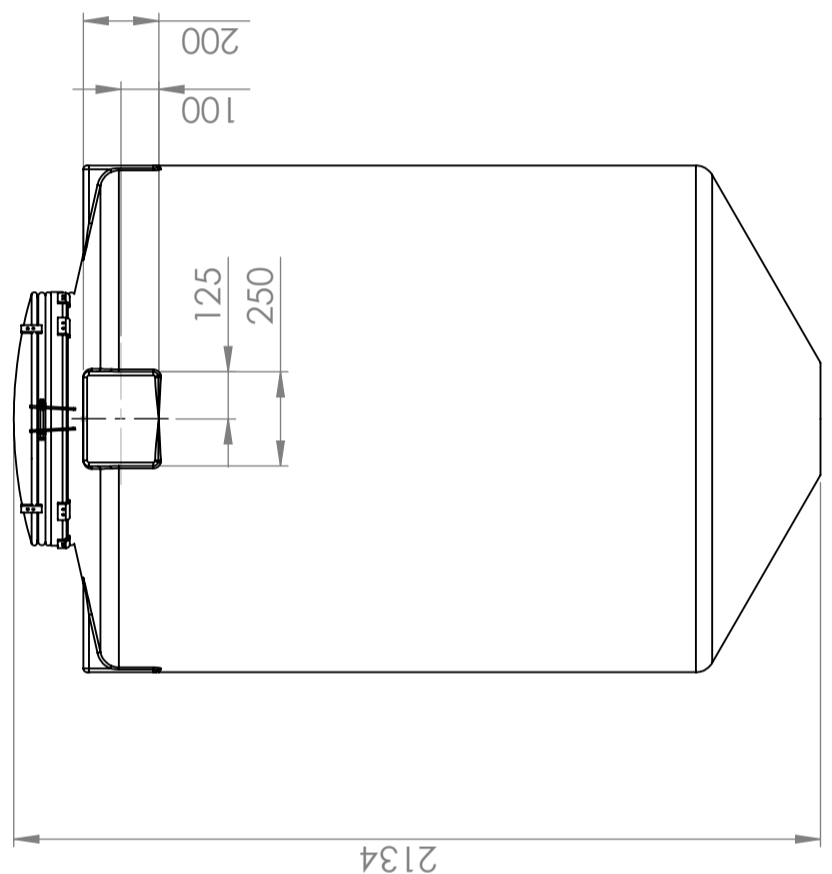
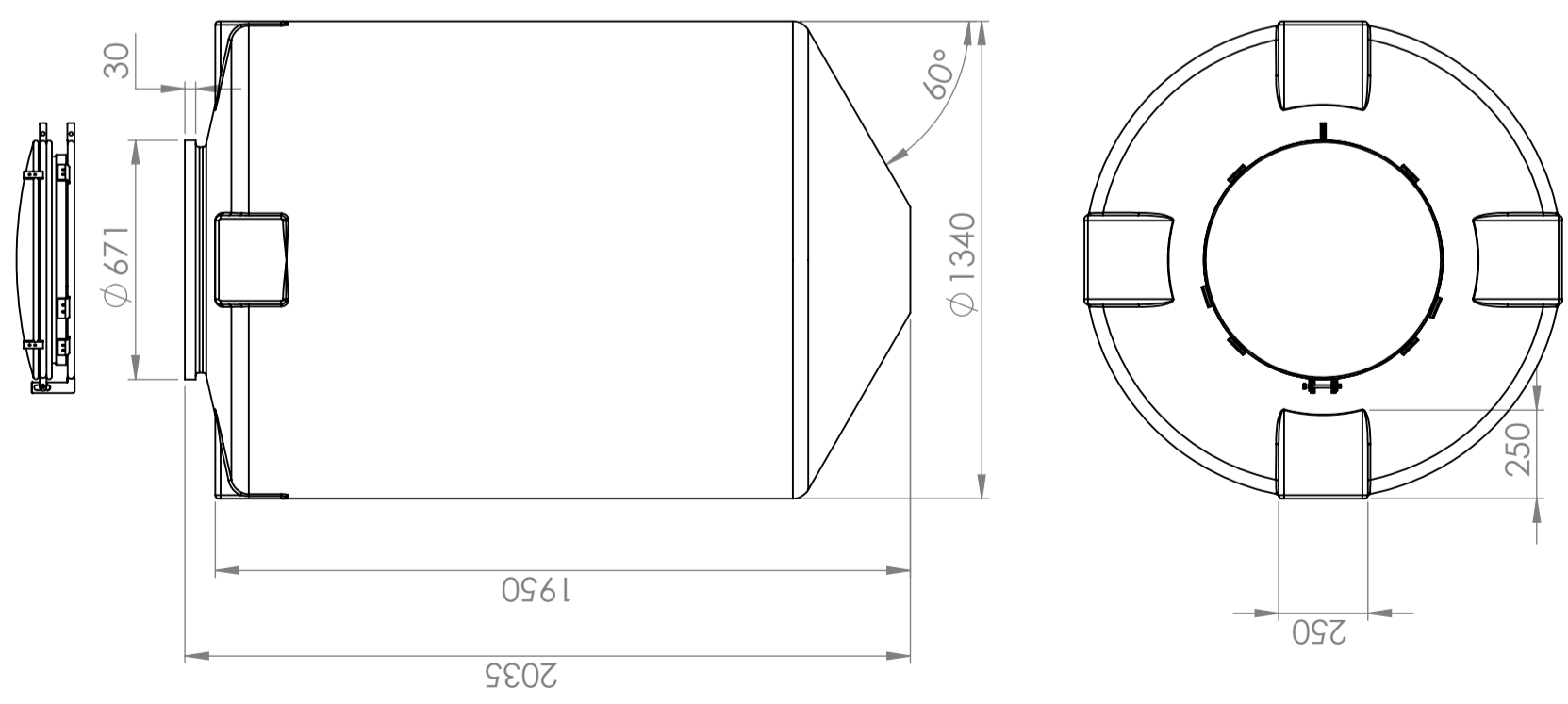
CPX Storagetank 2000L conical bottom

Height including stand: 2560 mm Height excluding stand:
2135 mm. For liquids up to density 1,85

Art.nr: 18015

Specifications	
Bottom shape	Conical
Volume (L)	2000
Height (mm)	2134
Diameter (mm)	1340
Weight (kg)	65
Tare weight (max kg/l)	1.85
Recycling	

This drawing and design is the property of CIPAX. Copying and distribution of the drawing or any contents is prohibited without written permission from authorised personnel at CIPAX.



REVISIONS			
ZONE	REV.	DESCRIPTION	DATE
	A	Made a new drawing and updated views. M.P	29.04.2013

"Manhole requires 800 mm space to open fully. Compared to maximum height"

Constructed by - date	Approved by - date	General Tolerances	Material	Finish, Ra	View	Scale
M.P 29.04.2013		NS-ISO 2768-1	LDPE	grit 120		1:20
Owner	Title/Description					
	1226641		2000 L centric			
	Drawing number		Revision			
	630 - 34		A			
			Sheet size		Sheet	
			A3		1(1)	

Generelle toleranser om ikke annet oppgitt på tegning	Tilatte avvik for måleområdet. Gjelder ved +20°C
General tolerances if not other stated on drawing	Permissible deviations for basic length size range. Valid +20°C
0-20	>75-150
±0.5mm	±1.5mm
	±1.3%
	±1%
	>300



1 2 3 4 5 6 7 8

A B C D E F

1 2 3 4 5 6 7 8