



## CPX Storagetank 10000L conical bottom

Height including stand: 3970 mm Height excluding stand:  
3600 mm. For fluids with density up to 1,2

Art.nr: 18018

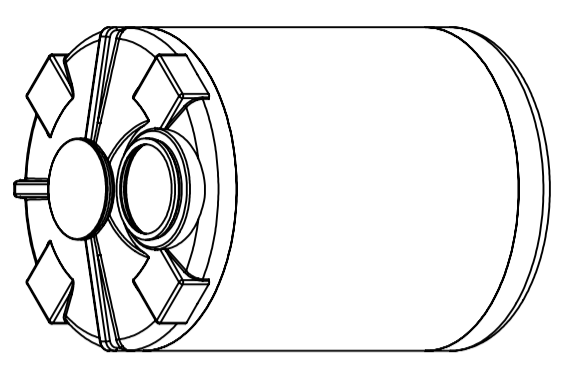
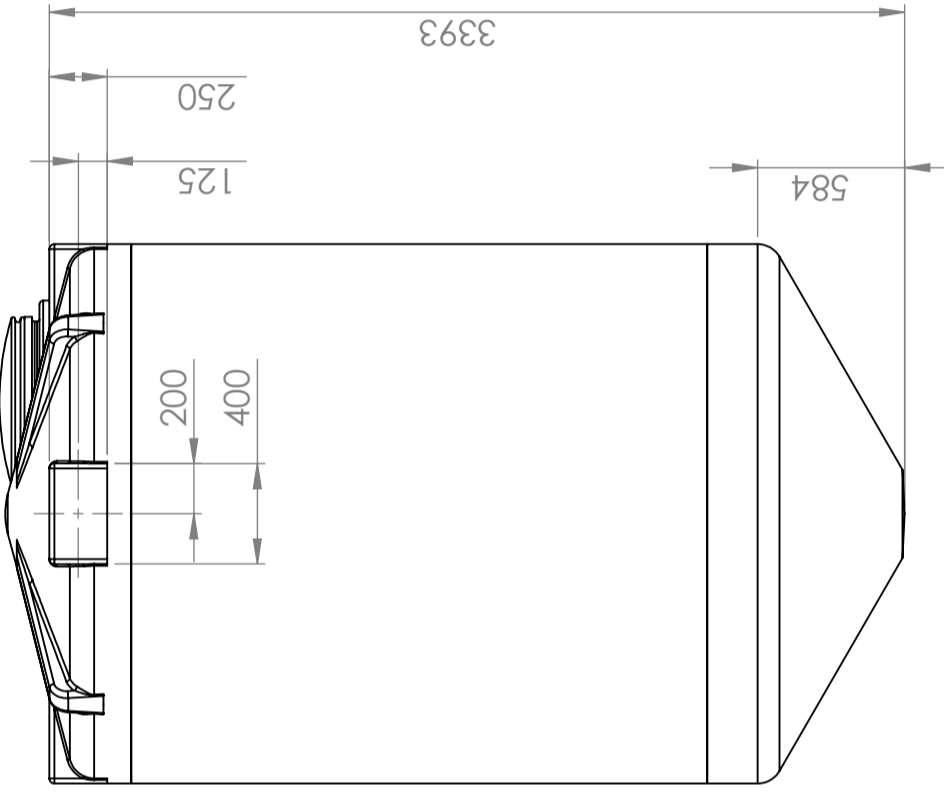
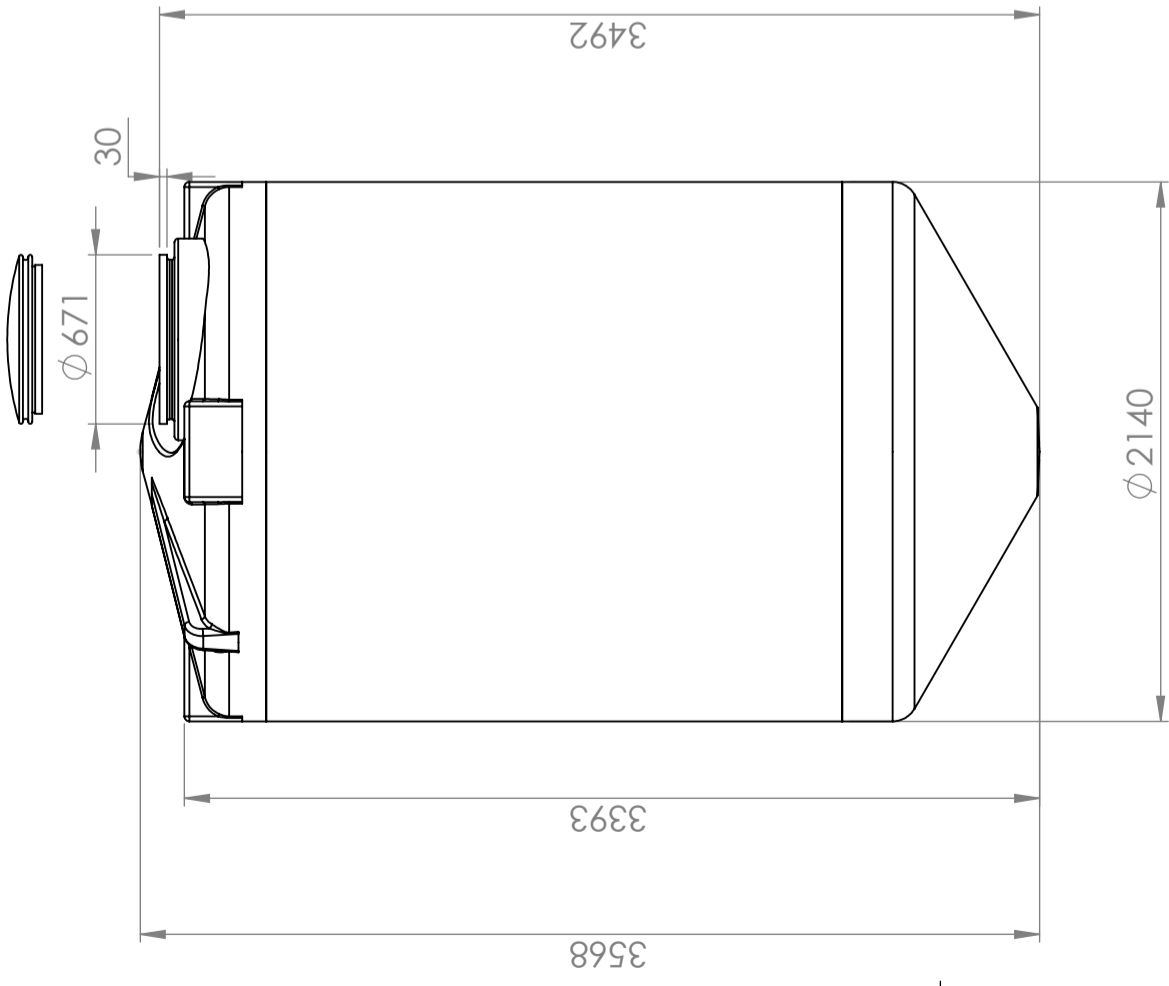
### Specifications

Bottom shape	Conical
Volume (L)	10000
Height (mm)	3568
Diameter (mm)	2140
Tare weight (max kg/l)	1.2

Recycling



This drawing and design is the property of CIPAX. Copying and distribution of the drawing or any contents is prohibited without written permission from authorised personnel at CIPAX



"Manhole requires 800 mm space to open fully. Compared to maximum height"

Generelle toleranser om ikke annet oppgitt på tegning	Tilatte avvik for måleområdet. Gjelder ved +20° C
General tolerances if not other stated on drawing	Permissible deviations for basic length size range. Valid +20° C
0-20	>20-75
±0.5mm	±1mm
	>75-150
	±1.5mm
	>150-300
	±1.3%
	>300
	±1%

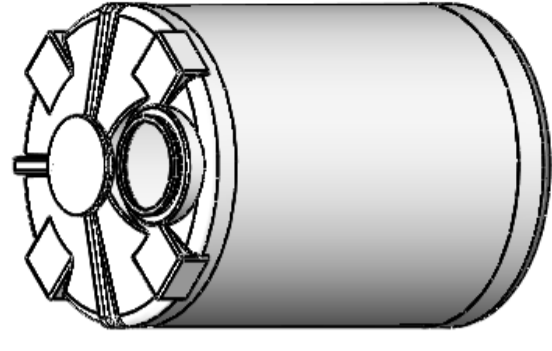
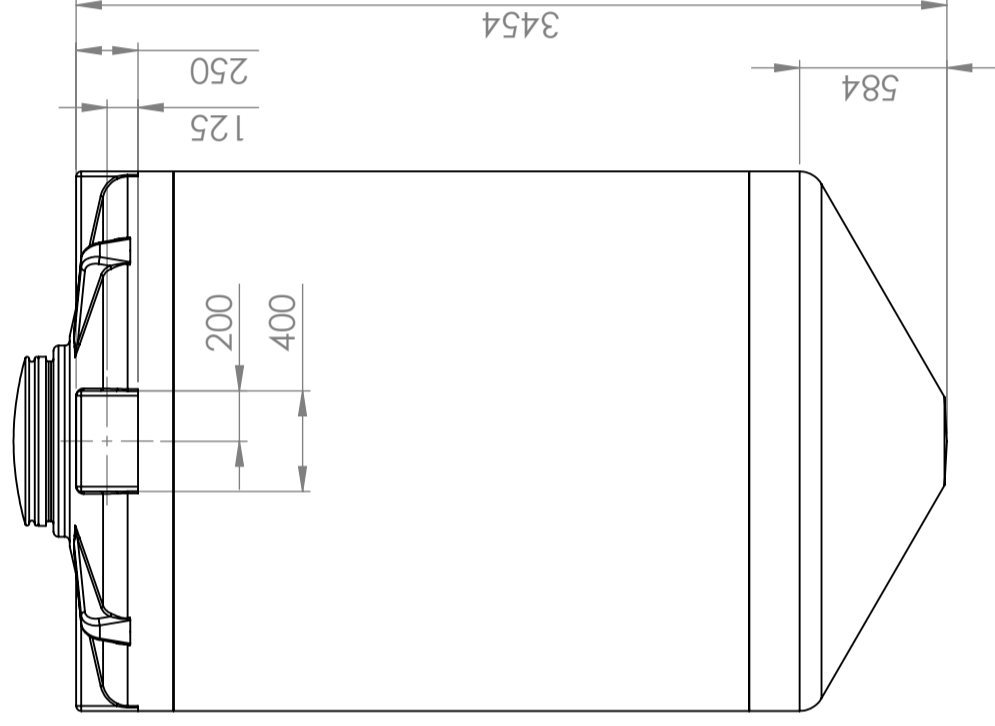
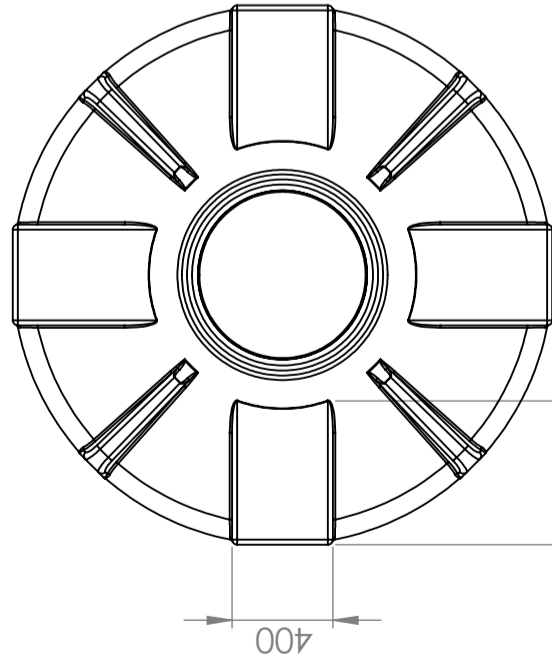
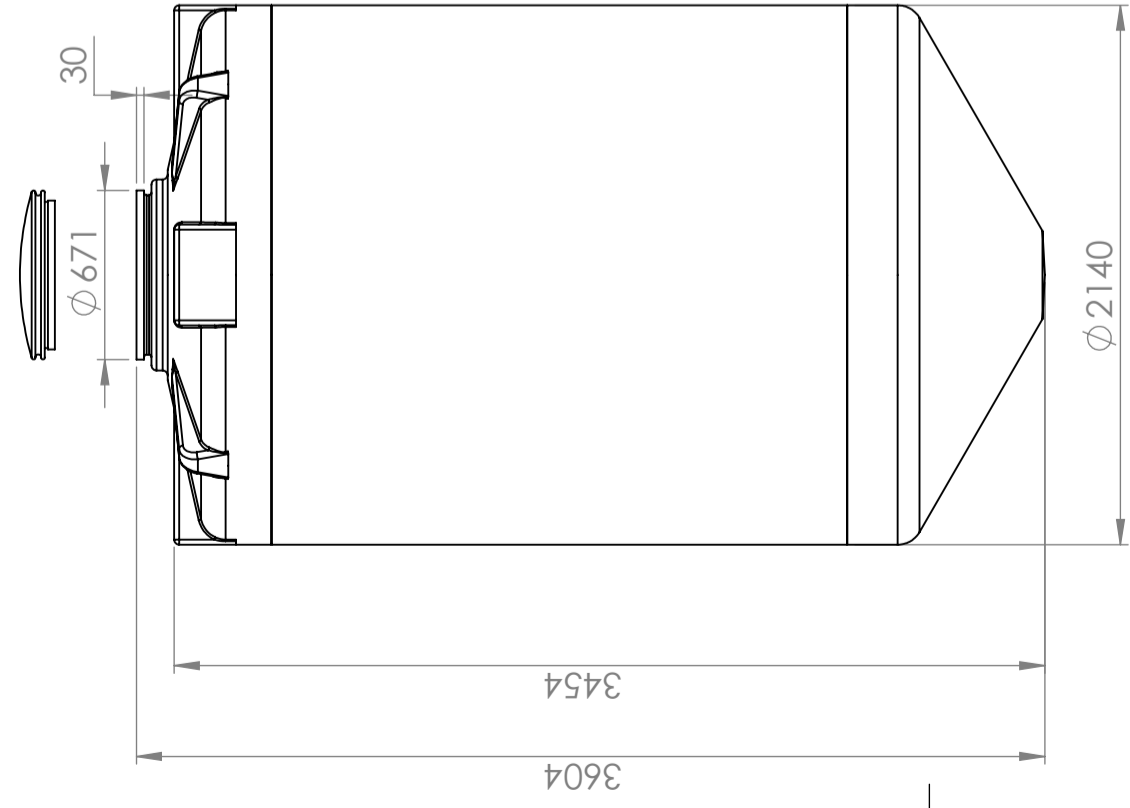
Owner  
**CIPAX**  
 Title/Description  
**1225741**  
 Drawing number  
**627 - 34**

Constructed by - date M.P 22.04.2013	Evaluated by	Approved by - date	General Tolerances NS-ISO 2768-1	Material LDPE	Finish, Ra grit 120	View 	Scale 1:30
Title/Description <b>1225741</b>			Material LDPE				
Drawing number <b>627 - 34</b>			Finish, Ra grit 120				
Owner <b>CIPAX</b>			View 				
Title/Description <b>10000 L Kon excentric</b>			Scale 1:30				
Drawing number <b>627 - 34</b>			Material LDPE				
Owner <b>CIPAX</b>			Finish, Ra grit 120				
Title/Description <b>10000 L Kon excentric</b>			View 				
Drawing number <b>627 - 34</b>			Scale 1:30				
Owner <b>CIPAX</b>			Material LDPE				
Title/Description <b>10000 L Kon excentric</b>			Finish, Ra grit 120				
Drawing number <b>627 - 34</b>			View 				
Owner <b>CIPAX</b>			Scale 1:30				

REVISIONS			
ZONE	REV.	DESCRIPTION	DATE
A	A	Renamed part to 1225741. Made a new drawing and updated views. M.P	22.04.2013

1 2 3 4 5 6 7 8

A B C D E F



"Manhole requires 800 mm space to open fully. Compared to maximum height"

REVISIONS

ZONE	REV.	DESCRIPTION	DATE	APPROVED
-	A	Renamed part to 1225741. Made a new drawing and updated views. M.P	22.04.2013	-

Generelle toleranser om ikke annet oppgitt på tegning	Tilatte avvik for måleområde. Gjelder ved +20° C
General tolerances if not other stated on drawing	Permissible deviations for basic length size range. Valid +20° C
±0.5mm	0-20
±1mm	>20-75
±1.5mm	>75-150
±1.3%	>150-300
±1%	>300



Owner  
1225741

Title/Description  
10000 L Kon center

Drawing number  
627 - 34

Revision  
A

Sheet size  
A3

Sheet  
2(2)

Constructed by - date M.P 22.04.2013	Evaluated by	Approved by - date	General Tolerances NS-ISO 2768-1	Material LDPE	Finish, Ra grit 120	View ⊕	Scale 1:30
---	--------------	--------------------	-------------------------------------	------------------	------------------------	-----------	---------------

This drawing and design is the property of Cipax. Copying and distribution of the drawing or any contents is prohibited without written permission from authorised personal at Cipax