

Cpx Container 25L rectangular

Container has two integrated carrying handle easy management. Significantly o-ring seals 225 mm clamping lid as standard.

The container are stackable. Also available in a higher execution, then the volume of 50 L, 200504

The container can be provided with connections as required.

Art.nr: 200264



Requires single door



Approximate size

Specifications

| | |
|----------------------|--------------------------------|
| Material | PE |
| Shape | Rectangular |
| Bottom shape | Straight |
| Design | Closed |
| Lid type | 200 mm O-ring sealed screw lid |
| Color | Natural |
| Volume (L) | 25 |
| Length (mm) | 350 |
| Width (mm) | 350 |
| Height (mm) | 320 |
| Surface area (m2) | 0.13 |
| Weight (kg) | 2.5 |
| Tollstatistical code | 3925100000 |
| GTIN | 7090046760603 |
| Delivery packaging | 30 pcs/pall |

Recycling



Characteristics



Customizable containers



Recyclable



Wide temperature range



Chemical resistance



Leak test



Logistics solutions

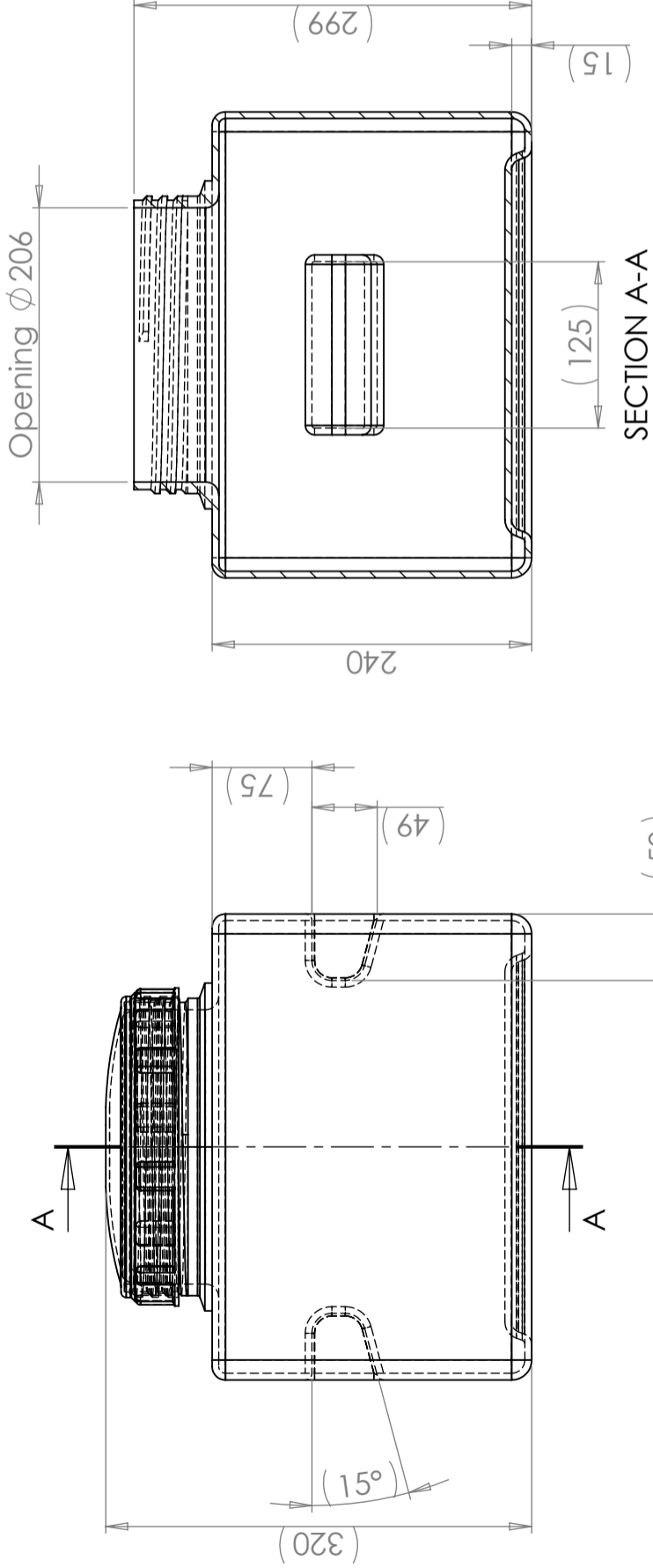


Suitable for food contact

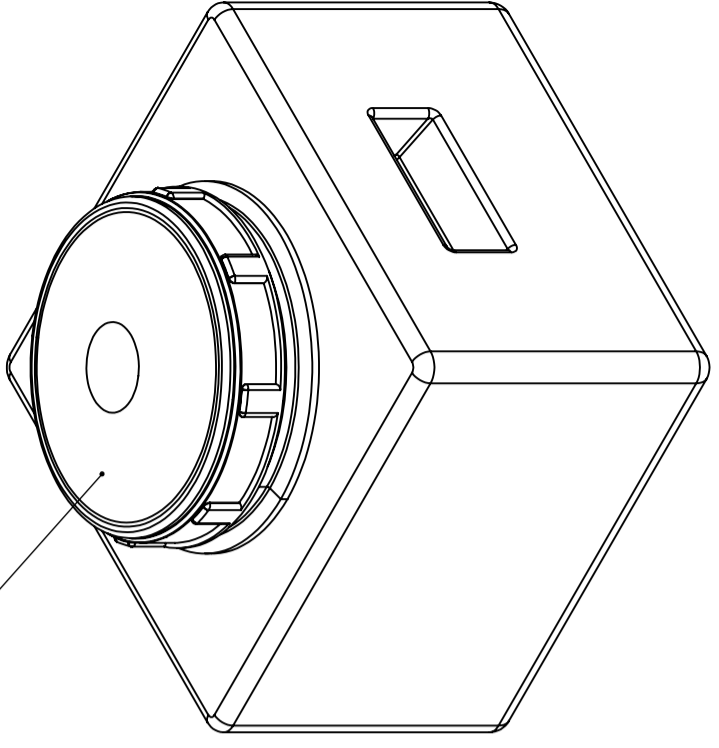
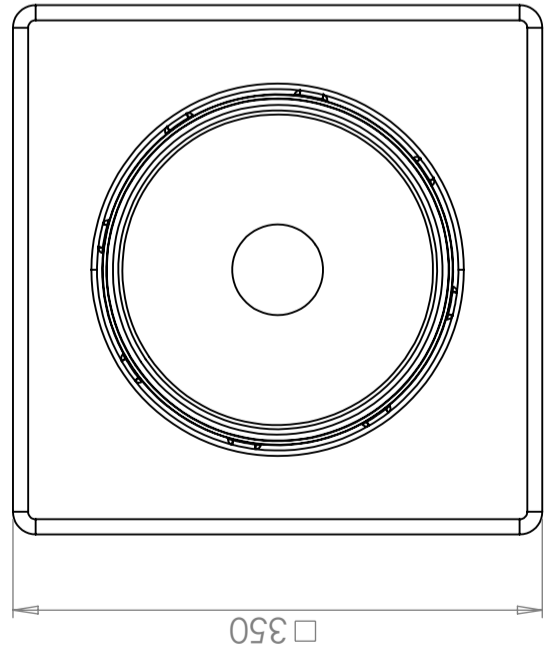


Easy to clean

| | | |
|----------|--------------------|---------|
| Revision | | |
| REV. | Ändringsmeddelande | Datum |
| | | Godkänd |



Cipax 63717
Cipax 63718



This drawing and design is the property of Cipax. Copying and distribution of the drawing or any contents is prohibited without written permission from authorised personal at Cipax

| | |
|---|---|
| Generella toleranser omej annat anges på ritning | Tillåtna avvikelser för längdbasområde. Gäller + 20°C |
| General tolerances if not other stated on drawing | Permissible deviations for basic length size range. Be valid + 20°C |
| ± 0,5 mm | 0-20 |
| ± 1 mm | >20-75 |
| ± 1,5 mm | >75-150 |
| ± 1,3 % | >150-300 |
| ± 1 % | >300 |

| | | | | | | |
|----------------|--|--------------------|-------------------|------------------------|-------------|-------|
| Konstruerad av | Granskad av | Godkänd av - datum | Generell tolerans | Generell Ytjämnhet, Ra | Vyplacering | Skala |
| MB | FB | 2023-11-07 | SS-ISO 2768-1 | | | 1:5 |
| Ägare | Titel/Benämning | | Ritningsnummer | | | |
| | CIPAX | | 200264 | | | |
| | CPX container 25L rectangular w/ 240 screw cap | | Blad | | | |
| | | | A | | | |
| | | | 1(1) | | | |