

## 40451 Lid

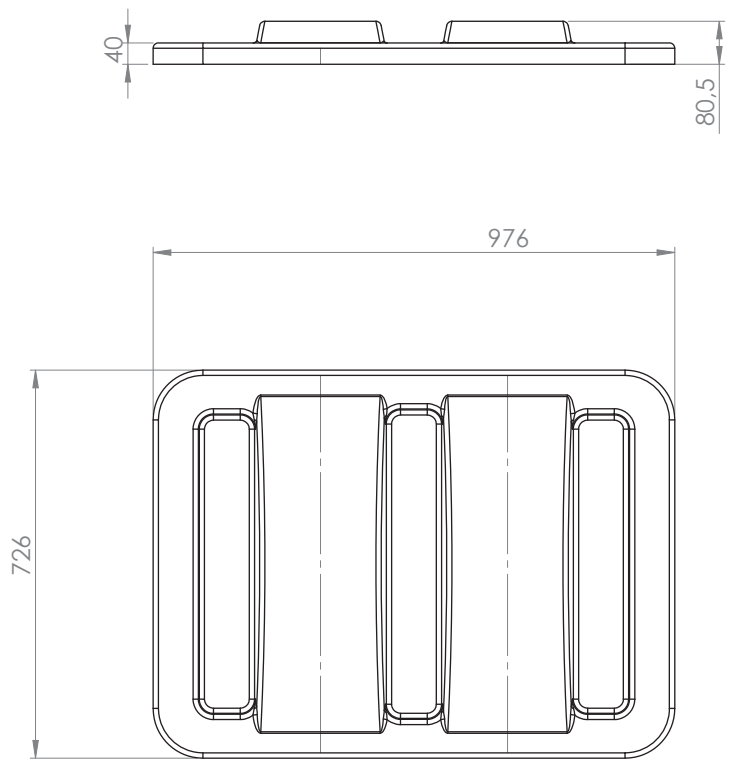
Art.nr: 40451




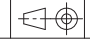
### Specifications

|                      |            |
|----------------------|------------|
| Color                | Natural    |
| Length (mm)          | 976        |
| Width (mm)           | 726        |
| Height (mm)          | 80         |
| Weight (kg)          | 3          |
| Tollstatistical code | 3923509000 |

This drawing and design is the property of Cipax. Copying and distribution of the drawing or any contents is prohibited without written permission from authorised personnel at Cipax



|  |   |        |         |          |      |
|--|---|--------|---------|----------|------|
| Generelle toleranser om ikke annet er oppgitt på tegning | Tilatte avvik for måleområde. Gjelder ved +20°C                 |        |         |          |      |
| General tolerances if not other stated on drawing        | Permissible deviations for basic length size range. Valid +20°C |        |         |          |      |
|  | 0-20  | >20-75 | >75-150 | >150-300 | >300 |
|  | ±0,5mm  | ±1mm   | ±1,5mm  | ±1,3%    | ±1%  |

|                       |   |              |                    |                    |          |            |   |       |
|-----------------------|---|--------------|--------------------|--------------------|----------|------------|---|-------|
| Constructed by - date | 04.04.2014  | Evaluated by | Approved by - date | General Tolerances | Material | Finish, Ra | View  | Scale |
| Owner                 |  |              |                    | NS-ISO 2768-1      | PE       |            |  | 1:10  |
| Title/Description     |   |              |                    | Drawing number     |          | Revision   | Sheet size  | Sheet |
| 40451 / 6400091       |   |              |                    | 1088-310           |          |            | A3  | 1(1)  |